

Retaining Cables

Stainless Steel, with Key Rings or One Key Ring and One Mounting Tab / with Mounting Tabs or Loops, with Carabiner

SPECIFICATION

Types

- Type **A**: With 2 key rings
- Type **B**: With mounting tab and key ring
- Type **C**: With 2 mounting tabs
- Type **D**: With 2 loops
- Type **E**: With mounting tab and loop
- Type **K**: With carabiner and loop
- Type **L**: With carabiner and mounting tab
- Type **M**: With carabiner and key ring

Retaining cable

Stainless steel AISI 304

- Plain finish **BL**
- Plastic coated (PVC)
Transparent **TR**
Black **SW**

Carabiner

Stainless steel AISI 316

Plain finish

Mounting tab

Stainless steel AISI 304

- Plain finish for BL / TR
- Zinc plated, black passivated for SW

Key ring

Stainless steel AISI 301

- Plain finish, ground for BL / TR
- Zinc plated, black passivated for SW

Press sleeves

Aluminum

- Plain finish for BL / TR
- Black anodized for SW

INFORMATION

Retaining cables GN 111.2 are available in 5 different types and can therefore be used in a wide range of applications, e.g. for loss protection or as connecting and mounting cables.

The coating of versions TR and SW protects adjacent parts from chafing or other damage. The smooth surface is also pleasant to the touch. The black design is visually discreet and is also used in situations where the reflections on the surface are to be minimized.

On delivery the key rings are already mounted on the retaining cable. With type A, both rings have the same diameter d .

For all types the loops are reversed laterally and attached parallel to each other, which is not entirely considered in the simplified drawing.

The load values given in the table are non-binding guide values and rule out any liability.



Retaining cables GN 111.2 with carabiner are available in 3 different types and can therefore be used in a wide range of applications, e.g. for loss protection or as connecting and fastening cables.

The retaining cable is firmly connected on one side to a carabiner GN 5299. With type M, the key ring is loosely enclosed with the retaining cable.

The orientation of the cable loops, mounting tabs and carabiners may differ from what is depicted in the drawing. The load values given in the table are non-binding guide values and rule out any liability.

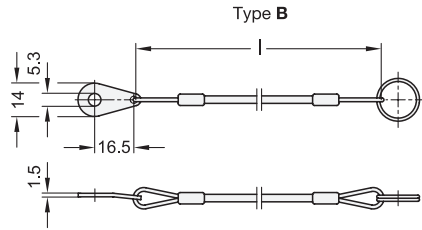
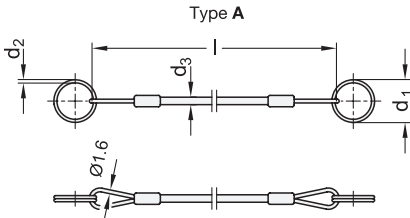
ACCESSORY

- Key Rings GN 111.3 (see page 903)
- Carabiners GN 5299 (Type C) (see page)

TECHNICAL INFORMATION

- Stainless Steel Characteristics (see page A26)

Key rings (Type A, B, M) suitable for ball lock pins and lock pins with pin Ø:										
d:	GN 113.1, GN 113.3, GN 113.4, GN 113.7, GN 113.8, GN 113.9, GN 113.10	GN 113.5, GN 113.6	GN 113.11, GN 113.12	GN 114.2, GN 114.3, GN 114.6	GN 114.7, GN 114.8	GN 114.11, GN 114.12	GN 124.1, GN 124.2	GN 124.3	GN 214.2, GN 214.3, GN 214.6	GN 314
14	5 / 6 / 8	all	5 / 6 / 8 / 10	all	6 / 8	6 / 8 / 10 / 12	all	8 / 10	6 / 8	-
18	10 / 12 / 16 / 20 / 25	-	12 / 16	-	10 / 12 / 16 / 20	16 / 20	-	10 / 12	10 / 12 / 16	8 / 10 / 12
24	-	-	20 / 25	-	-	-	-	-	-	16 / 20
30	-	-	-	-	-	-	-	-	-	-



GN 111.2-A

STAINLESS STEEL

Description	l	d1	d2	d3	Static load in N ≈	🔗
GN 111.2-150-14-A-BL	150	14	1	1.6	50	31
GN 111.2-150-14-A-TR	150	14	1	3	50	5
GN 111.2-150-14-A-SW	150	14	1	3	50	5
GN 111.2-150-18-A-BL	150	18	1.3	1.6	90	32
GN 111.2-150-18-A-TR	150	18	1.3	3	90	6
GN 111.2-150-18-A-SW	150	18	1.3	3	90	6
GN 111.2-150-24-A-BL	150	24	1.5	1.6	100	34
GN 111.2-150-24-A-TR	150	24	1.5	3	100	8
GN 111.2-150-24-A-SW	150	24	1.5	3	100	8
GN 111.2-150-30-A-BL	150	30	1.8	1.6	120	37
GN 111.2-150-30-A-TR	150	30	1.8	3	120	11
GN 111.2-150-30-A-SW	150	30	1.8	3	120	11
GN 111.2-200-14-A-BL	200	14	1	1.6	50	12
GN 111.2-200-14-A-TR	200	14	1	3	50	6
GN 111.2-200-14-A-SW	200	14	1	3	50	6
GN 111.2-200-18-A-BL	200	18	1.3	1.6	90	12
GN 111.2-200-18-A-TR	200	18	1.3	3	90	7
GN 111.2-200-18-A-SW	200	18	1.3	3	90	7
GN 111.2-200-24-A-BL	200	24	1.5	1.6	100	13
GN 111.2-200-24-A-TR	200	24	1.5	3	100	9
GN 111.2-200-24-A-SW	200	24	1.5	3	100	9
GN 111.2-200-30-A-BL	200	30	1.8	1.6	120	15
GN 111.2-200-30-A-TR	200	30	1.8	3	120	12
GN 111.2-200-30-A-SW	200	30	1.8	3	120	12
GN 111.2-320-14-A-BL	320	14	1	1.6	50	15
GN 111.2-320-14-A-TR	320	14	1	3	50	8
GN 111.2-320-14-A-SW	320	14	1	3	50	8
GN 111.2-320-18-A-BL	320	18	1.3	1.6	90	15
GN 111.2-320-18-A-TR	320	18	1.3	3	90	9
GN 111.2-320-18-A-SW	320	18	1.3	3	90	9
GN 111.2-320-24-A-BL	320	24	1.5	1.6	100	16
GN 111.2-320-24-A-TR	320	24	1.5	3	100	11
GN 111.2-320-24-A-SW	320	24	1.5	3	100	11
GN 111.2-320-30-A-BL	320	30	1.8	1.6	120	18
GN 111.2-320-30-A-TR	320	30	1.8	3	120	14
GN 111.2-320-30-A-SW	320	30	1.8	3	120	14
GN 111.2-500-14-A-BL	500	14	1	1.6	50	22
GN 111.2-500-14-A-TR	500	14	1	3	50	12
GN 111.2-500-14-A-SW	500	14	1	3	50	12
GN 111.2-500-18-A-BL	500	18	1.3	1.6	90	23
GN 111.2-500-18-A-TR	500	18	1.3	3	90	12
GN 111.2-500-18-A-SW	500	18	1.3	3	90	12
GN 111.2-500-24-A-BL	500	24	1.5	1.6	100	24
GN 111.2-500-24-A-TR	500	24	1.5	3	100	14
GN 111.2-500-24-A-SW	500	24	1.5	3	100	14
GN 111.2-500-30-A-BL	500	30	1.8	1.6	120	25
GN 111.2-500-30-A-TR	500	30	1.8	3	120	17
GN 111.2-500-30-A-SW	500	30	1.8	3	120	17

GN 111.2-B

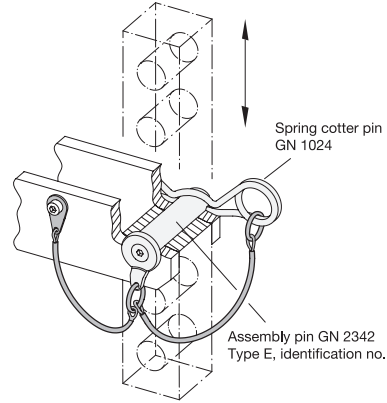
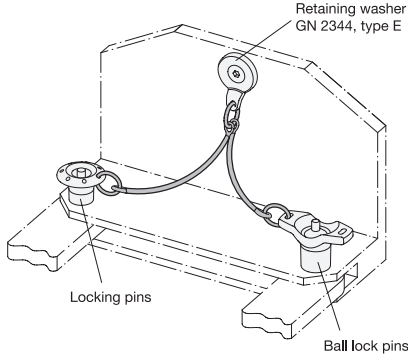
STAINLESS STEEL

Description	l	d1	d2	d3	Static load in N ≈	🔗
GN 111.2-150-14-B-BL	150	14	1	1.6	50	6
GN 111.2-150-14-B-TR	150	14	1	3	50	7
GN 111.2-150-14-B-SW	150	14	1	3	50	7
GN 111.2-150-18-B-BL	150	18	1.3	1.6	90	34
GN 111.2-150-18-B-TR	150	18	1.3	3	90	8
GN 111.2-150-18-B-SW	150	18	1.3	3	90	8
GN 111.2-150-24-B-BL	150	24	1.5	1.6	100	35
GN 111.2-150-24-B-TR	150	24	1.5	3	100	9
GN 111.2-150-24-B-SW	150	24	1.5	3	100	9
GN 111.2-150-30-B-BL	150	30	1.8	1.6	120	36
GN 111.2-150-30-B-TR	150	30	1.8	3	120	10
GN 111.2-150-30-B-SW	150	30	1.8	3	120	10
GN 111.2-200-14-B-BL	200	14	1	1.6	50	14
GN 111.2-200-14-B-TR	200	14	1	3	50	8
GN 111.2-200-14-B-SW	200	14	1	3	50	8
GN 111.2-200-18-B-BL	200	18	1.3	1.6	90	17
GN 111.2-200-18-B-TR	200	18	1.3	3	90	9
GN 111.2-200-18-B-SW	200	18	1.3	3	90	9
GN 111.2-200-24-B-BL	200	24	1.5	1.6	100	24
GN 111.2-200-24-B-TR	200	24	1.5	3	100	9
GN 111.2-200-24-B-SW	200	24	1.5	3	100	9
GN 111.2-200-30-B-BL	200	30	1.8	1.6	120	35
GN 111.2-200-30-B-TR	200	30	1.8	3	120	11
GN 111.2-200-30-B-SW	200	30	1.8	3	120	11
GN 111.2-320-14-B-BL	320	14	1	1.6	50	8
GN 111.2-320-14-B-TR	320	14	1	3	50	10
GN 111.2-320-14-B-SW	320	14	1	3	50	10
GN 111.2-320-18-B-BL	320	18	1.3	1.6	90	12
GN 111.2-320-18-B-TR	320	18	1.3	3	90	11
GN 111.2-320-18-B-SW	320	18	1.3	3	90	11
GN 111.2-320-24-B-BL	320	24	1.5	1.6	100	19
GN 111.2-320-24-B-TR	320	24	1.5	3	100	12
GN 111.2-320-24-B-SW	320	24	1.5	3	100	12
GN 111.2-320-30-B-BL	320	30	1.8	1.6	120	30
GN 111.2-320-30-B-TR	320	30	1.8	3	120	14
GN 111.2-320-30-B-SW	320	30	1.8	3	120	14
GN 111.2-500-14-B-BL	500	14	1	1.6	50	11
GN 111.2-500-14-B-TR	500	14	1	3	50	14
GN 111.2-500-14-B-SW	500	14	1	3	50	14
GN 111.2-500-18-B-BL	500	18	1.3	1.6	90	14
GN 111.2-500-18-B-TR	500	18	1.3	3	90	14
GN 111.2-500-18-B-SW	500	18	1.3	3	90	14
GN 111.2-500-24-B-BL	500	24	1.5	1.6	100	22
GN 111.2-500-24-B-TR	500	24	1.5	3	100	15
GN 111.2-500-24-B-SW	500	24	1.5	3	100	15
GN 111.2-500-30-B-BL	500	30	1.8	1.6	120	33
GN 111.2-500-30-B-TR	500	30	1.8	3	120	16
GN 111.2-500-30-B-SW	500	30	1.8	3	120	16



Machine Elements 9

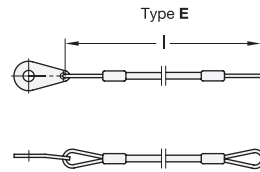
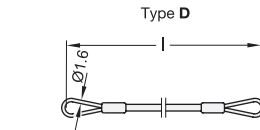
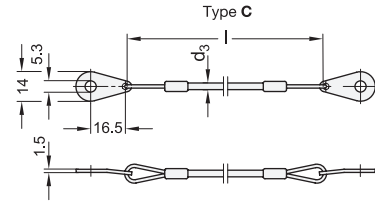
Application examples



GN 111.2-C

STAINLESS STEEL

Description	l	d ₃	Static load in N ≈	⚖
GN 111.2-150-C-BL	150	1.6	1800	9
GN 111.2-150-C-TR	150	3	1800	9
GN 111.2-150-C-SW	150	3	1800	9
GN 111.2-200-C-BL	200	1.6	1800	21
GN 111.2-200-C-TR	200	3	1800	10
GN 111.2-200-C-SW	200	3	1800	10
GN 111.2-320-C-BL	320	1.6	1800	23
GN 111.2-320-C-TR	320	3	1800	12
GN 111.2-320-C-SW	320	3	1800	12
GN 111.2-500-C-BL	500	1.6	1800	26
GN 111.2-500-C-TR	500	3	1800	16
GN 111.2-500-C-SW	500	3	1800	16



GN 111.2-D

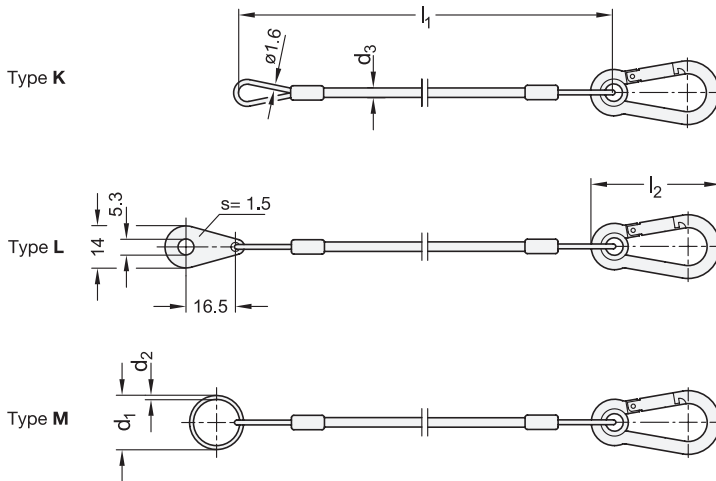
STAINLESS STEEL

Description	l	d ₃	Static load in N ≈	⚖
GN 111.2-150-D-BL	150	1.6	1800	13
GN 111.2-150-D-TR	150	3	1800	4
GN 111.2-150-D-SW	150	3	1800	4
GN 111.2-200-D-BL	200	1.6	1800	14
GN 111.2-200-D-TR	200	3	1800	5
GN 111.2-200-D-SW	200	3	1800	5
GN 111.2-320-D-BL	320	1.6	1800	15
GN 111.2-320-D-TR	320	3	1800	7
GN 111.2-320-D-SW	320	3	1800	7
GN 111.2-500-D-BL	500	1.6	1800	18
GN 111.2-500-D-TR	500	3	1800	10
GN 111.2-500-D-SW	500	3	1800	10

GN 111.2-E

STAINLESS STEEL

Description	l	d ₃	Static load in N ≈	⚖
GN 111.2-150-E-BL	150	1.6	1800	9
GN 111.2-150-E-TR	150	3	1800	7
GN 111.2-150-E-SW	150	3	1800	7
GN 111.2-200-E-BL	200	1.6	1800	11
GN 111.2-200-E-TR	200	3	1800	7
GN 111.2-200-E-SW	200	3	1800	7
GN 111.2-320-E-BL	320	1.6	1800	12
GN 111.2-320-E-TR	320	3	1800	10
GN 111.2-320-E-SW	320	3	1800	10
GN 111.2-500-E-BL	500	1.6	1800	15
GN 111.2-500-E-TR	500	3	1800	13
GN 111.2-500-E-SW	500	3	1800	13



GN 111.2-K

STAINLESS STEEL

Description	l ₁	l ₂	d ₃	Static load in N ≈	⚖
GN 111.2-150-K-TR-50	150	50	3	1200	29
GN 111.2-200-K-TR-50	200	50	3	1200	30
GN 111.2-320-K-TR-50	320	50	3	1200	31

GN 111.2-L

STAINLESS STEEL

Description	l ₁	l ₂	d ₃	Static load in N ≈	⚖
GN 111.2-150-L-TR-50	150	50	3	1200	25
GN 111.2-200-L-TR-50	200	50	3	1200	28
GN 111.2-320-L-TR-50	320	50	3	1200	31

GN 111.2-M

STAINLESS STEEL

Description	l ₁	d ₁	l ₂	d ₂	d ₃	Static load in N ≈	⚖
GN 111.2-150-14-M-TR-50	150	14	50	1	3	50	29
GN 111.2-150-18-M-TR-50	150	18	50	1.3	3	90	29
GN 111.2-150-24-M-TR-50	150	24	50	1.5	3	100	29
GN 111.2-200-14-M-TR-50	200	14	50	1	3	50	30
GN 111.2-200-18-M-TR-50	200	18	50	1.3	3	90	30
GN 111.2-200-24-M-TR-50	200	24	50	1.5	3	100	30
GN 111.2-320-14-M-TR-50	320	14	50	1	3	50	31
GN 111.2-320-18-M-TR-50	320	18	50	1.3	3	90	31
GN 111.2-320-24-M-TR-50	320	24	50	1.5	3	100	31